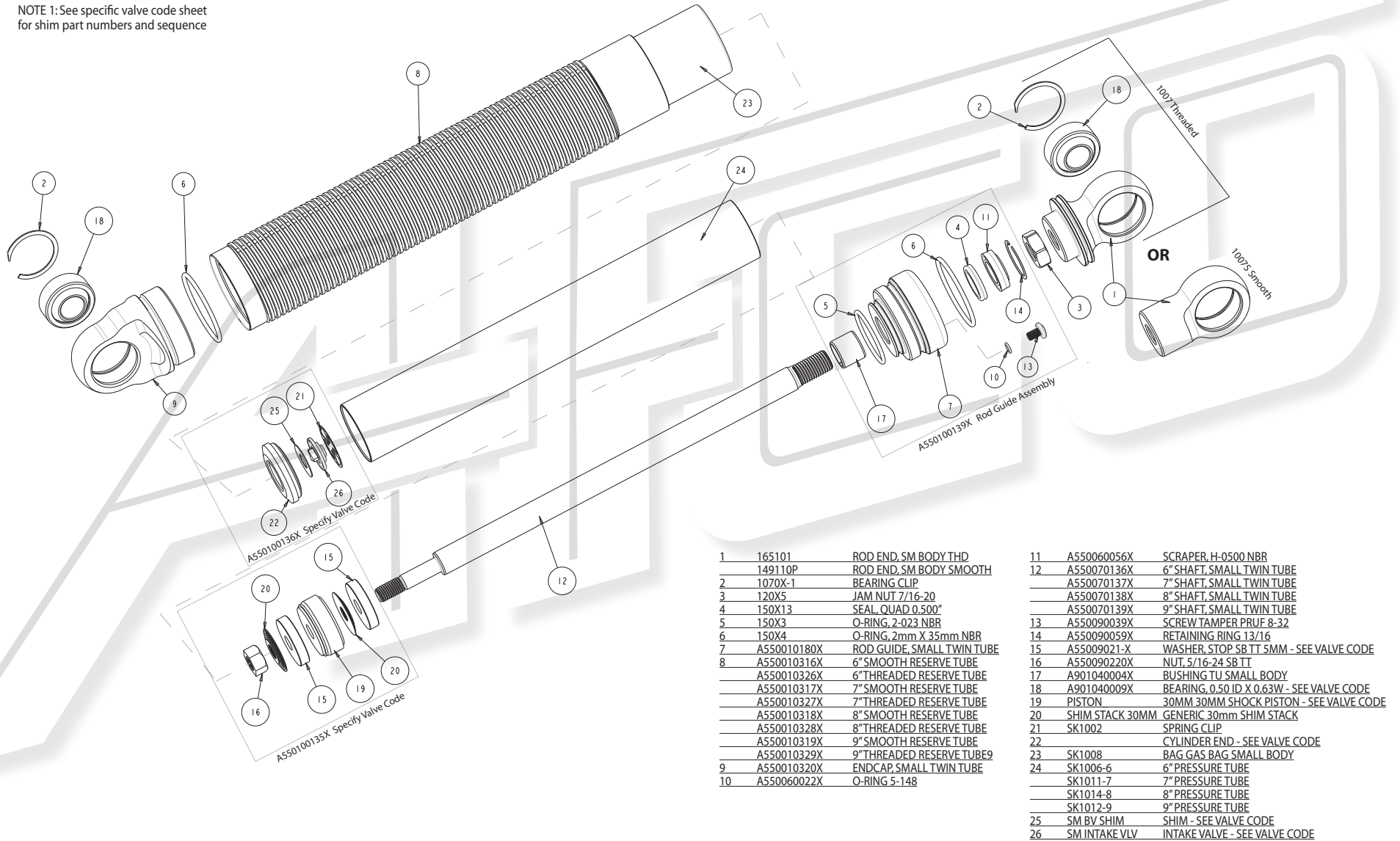


16 Series

16 Series Non-Adjustable

16 SERIES MAIN EXPLODED VIEW / COMPONENT LIST

NOTE 1: See specific valve code sheet for shim part numbers and sequence



1	165101	ROD END, SM BODY THD	11	A550060056X	SCRAPER, H-0500 NBR
	149110P	ROD END, SM BODY SMOOTH	12	A550070136X	6" SHAFT, SMALL TWIN TUBE
2	1070X-1	BEARING CLIP		A550070137X	7" SHAFT, SMALL TWIN TUBE
3	120X5	JAM NUT 7/16-20		A550070138X	8" SHAFT, SMALL TWIN TUBE
4	150X13	SEAL, QUAD 0.500"		A550070139X	9" SHAFT, SMALL TWIN TUBE
5	150X3	O-RING, 2-023 NBR	13	A550090039X	SCREW TAMPER PRUF 8-32
6	150X4	O-RING, 2mm X 35mm NBR	14	A550090059X	RETAINING RING 13/16
7	A550010180X	ROD GUIDE, SMALL TWIN TUBE	15	A55009021-X	WASHER, STOP SB TT 5MM - SEE VALVE CODE
8	A550010316X	6" SMOOTH RESERVE TUBE	16	A550090220X	NUT, 5/16-24 SB TT
	A550010326X	6" THREADED RESERVE TUBE	17	A901040004X	BUSHING TU SMALL BODY
	A550010317X	7" SMOOTH RESERVE TUBE	18	A901040009X	BEARING, 0.50 ID X 0.63W - SEE VALVE CODE
	A550010327X	7" THREADED RESERVE TUBE	19		PISTON 30MM 30MM SHOCK PISTON - SEE VALVE CODE
	A550010318X	8" SMOOTH RESERVE TUBE	20		SHIM STACK 30MM GENERIC 30mm SHIM STACK
	A550010328X	8" THREADED RESERVE TUBE	21	SK1002	SPRING CLIP
	A550010319X	9" SMOOTH RESERVE TUBE	22		CYLINDER END - SEE VALVE CODE
	A550010329X	9" THREADED RESERVE TUBE	23	SK1008	BAG GAS BAG SMALL BODY
9	A550010320X	ENDCAP, SMALL TWIN TUBE	24	SK1006-6	6" PRESSURE TUBE
10	A550060022X	O-RING 5-148		SK1011-7	7" PRESSURE TUBE
				SK1014-8	8" PRESSURE TUBE
				SK1012-9	9" PRESSURE TUBE
				25	SM BV SHIM SHIM - SEE VALVE CODE
				26	SM INTAKE VLV INTAKE VALVE - SEE VALVE CODE